



### Placement and Maintenance

Sequel™ Home Office Furniture is designed for indoor use on level floors. Clean glass with glass cleaner, and steel parts and wood veneer with a moist cloth. Your Sequel™ Home Office Furniture is engineered for easy assembly. Carefully follow this procedure to prevent any damage.

**Do not use power tools for assembly of this product.**



### Step 1

Unpack and identify the parts listed below. The assembly workspace should be a non-marring surface such as carpet. For missing hardware pieces, please contact BDI Customer Service at customerservice@bdiusa.com. For all other concerns, please contact your BDI Retailer.

### Component List

**N** - Upper Horizontal Beam x 1

**B** - Top Glass x 1

**L** - Right Leg x 1

**A** - Frame Assembly x 1

**C** - Back Panel x 1  
(optional)

**D** - Front Kick Panel x 1

**E** - Lower Horizontal Beam x 1

**K** - Left Leg x 1



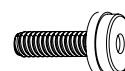
**F** - 4mm Hex Wrench x 1



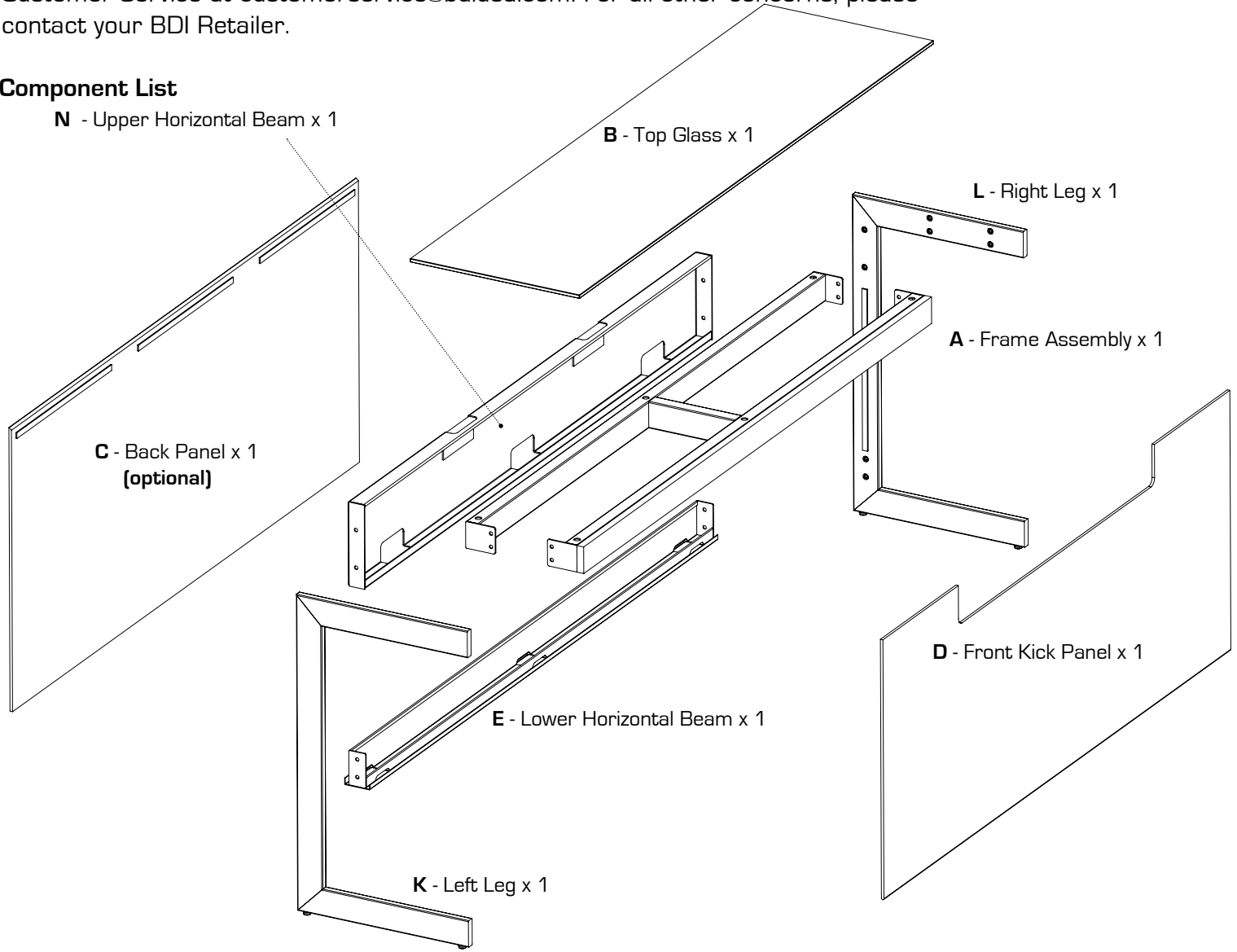
**G** - 1/4-20 x 2 3/8" Screw x 6



**H** - 1/4-20 x 1/2" Screw x 16

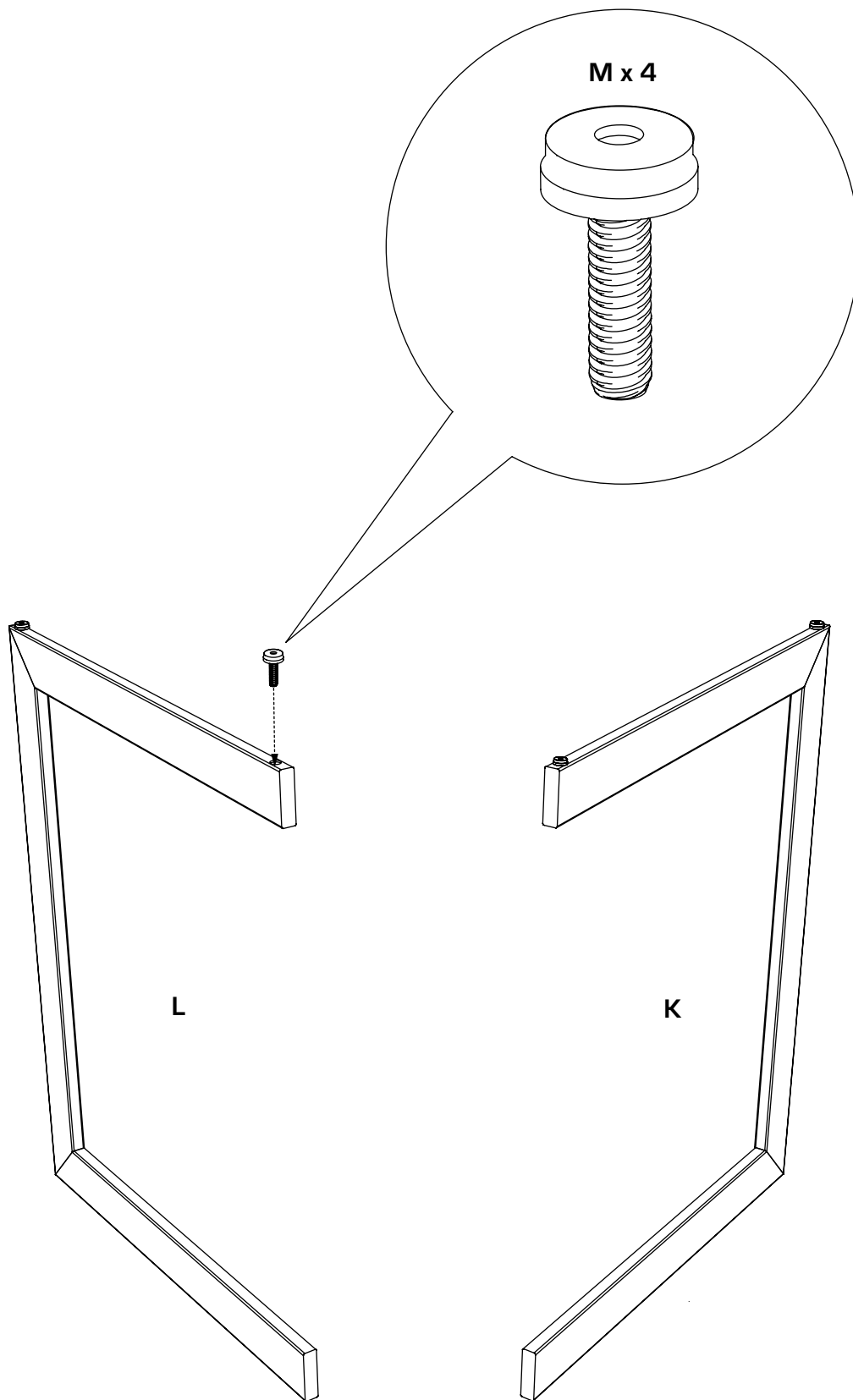


**M** - Glides x 4



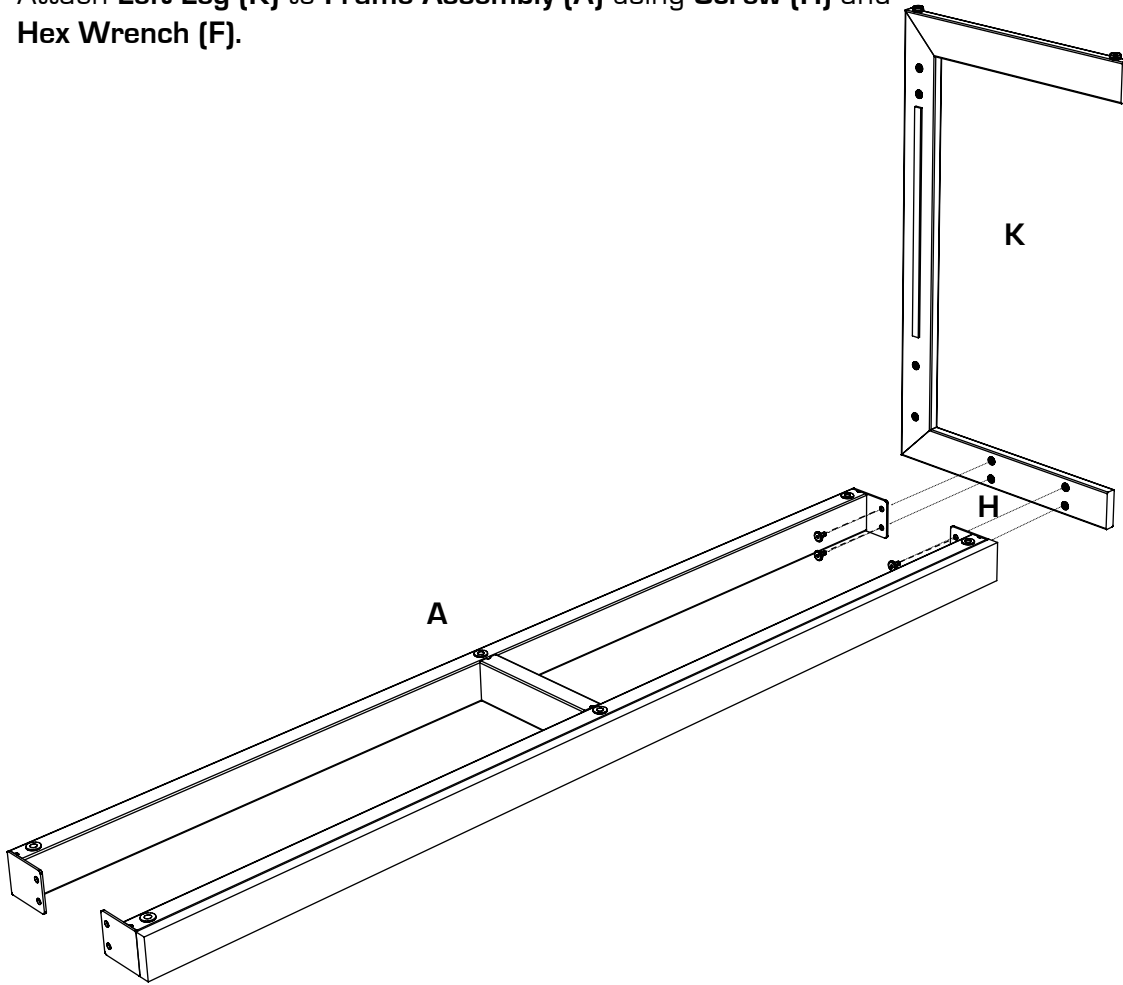
**Step 1**

Install **Glides (M)** to the bottom of **Left Leg (K)** and **Right Leg (L)**.



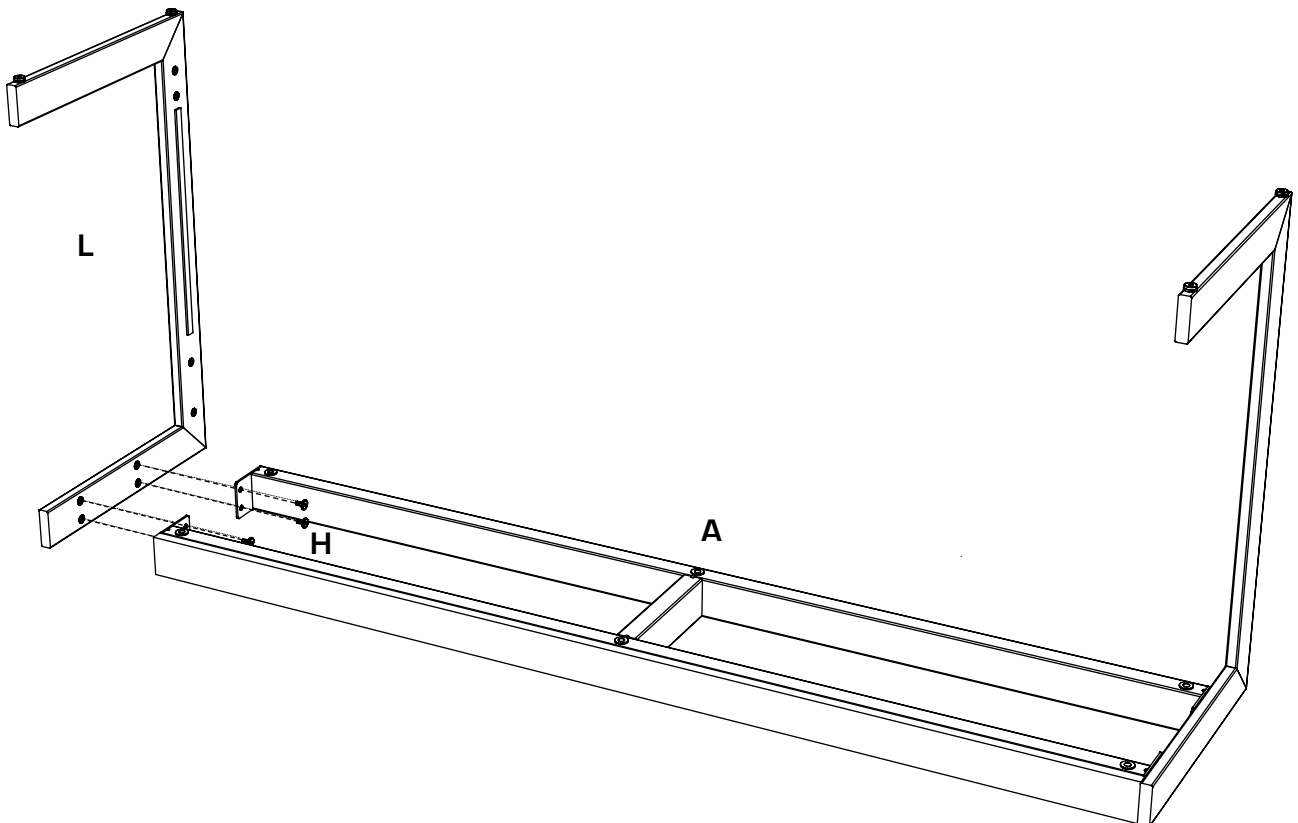
## Step 2

Attach **Left Leg (K)** to **Frame Assembly (A)** using **Screw (H)** and **Hex Wrench (F)**.



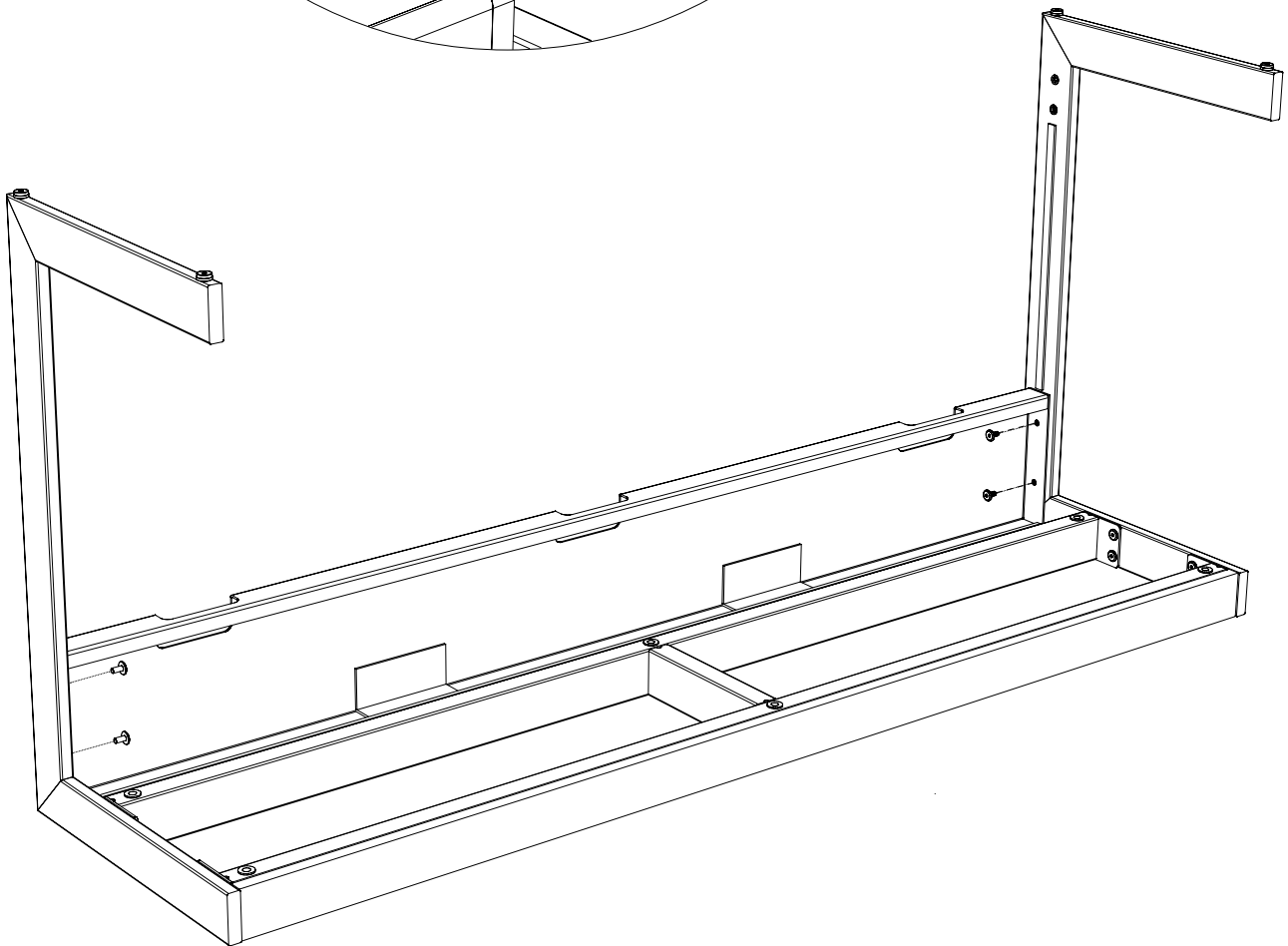
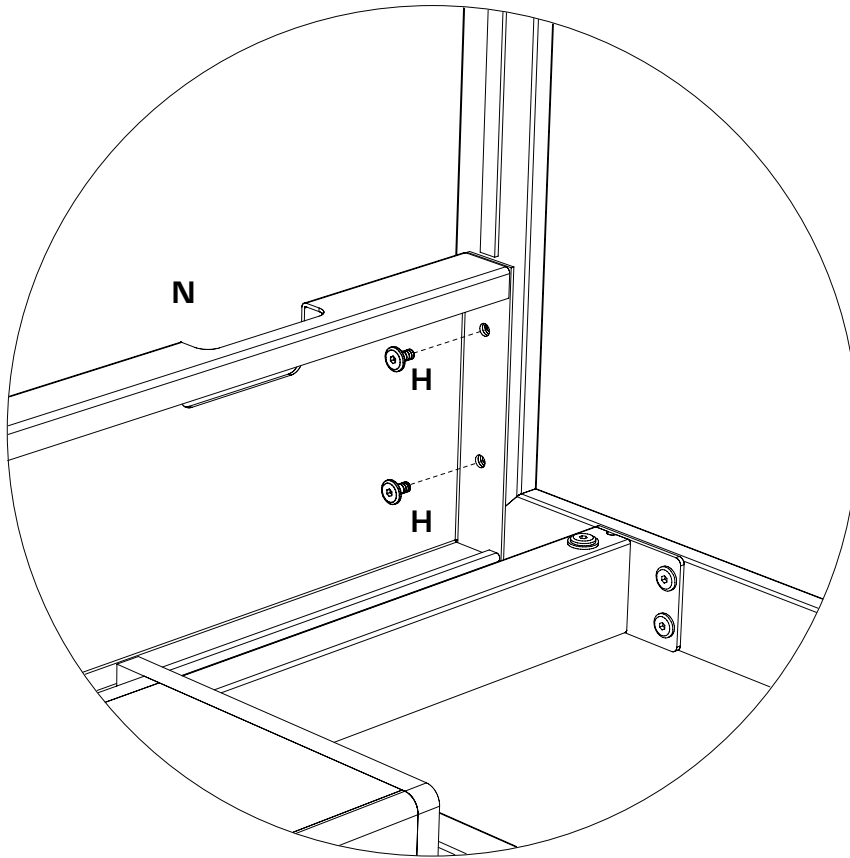
## Step 3

Attach **Right Leg (L)** to **Frame Assembly (A)** using **Screw (H)** and **Hex Wrench (F)**.



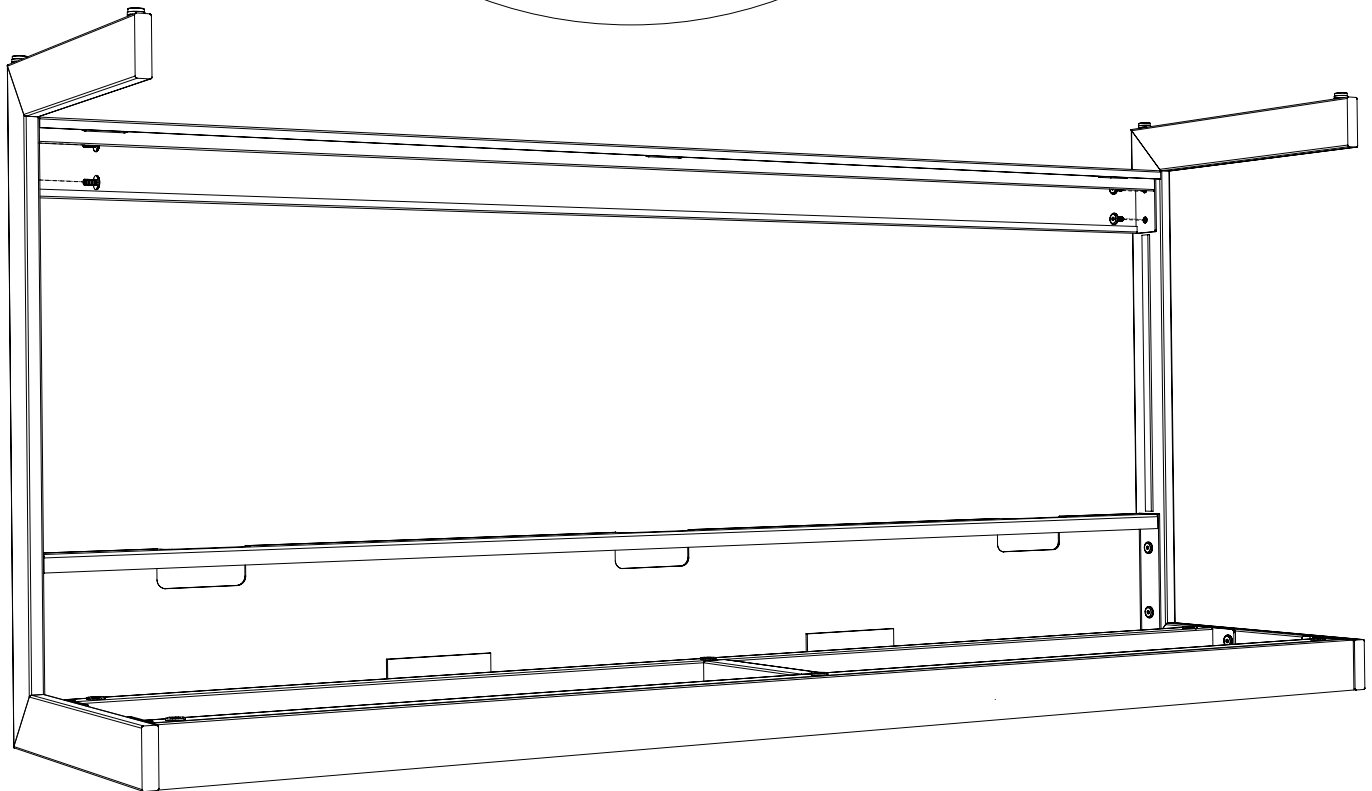
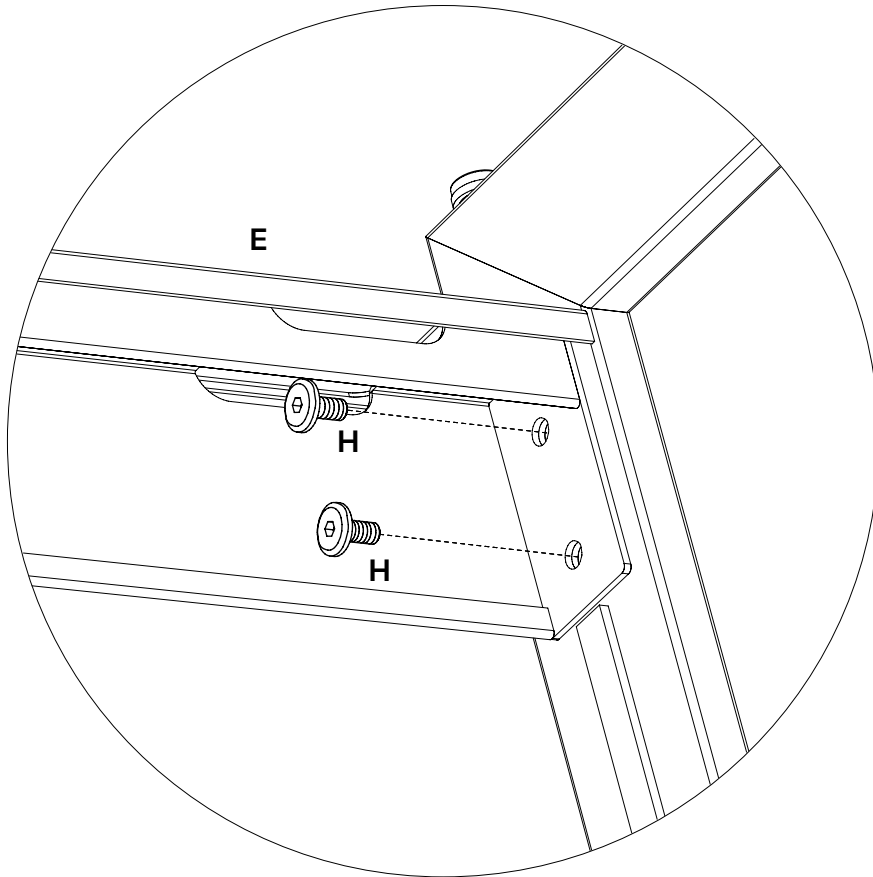
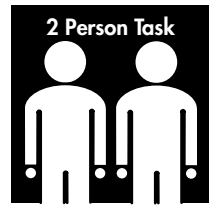
#### Step 4

Attach **Upper Horizontal Beam (N)** to inside of Left and Right Leg using **Screw (H)** and **Hex Wrench (F)**.



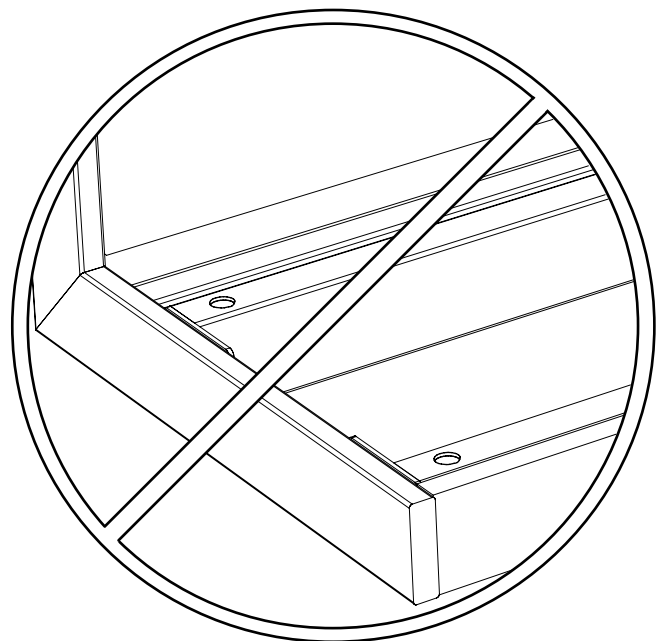
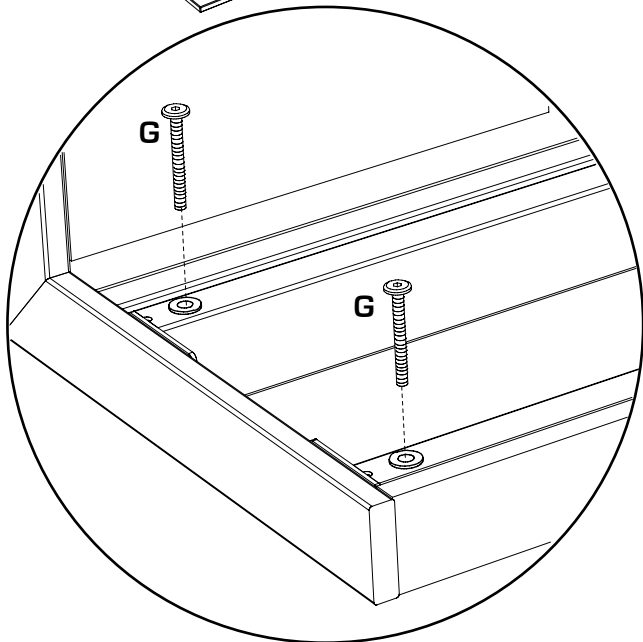
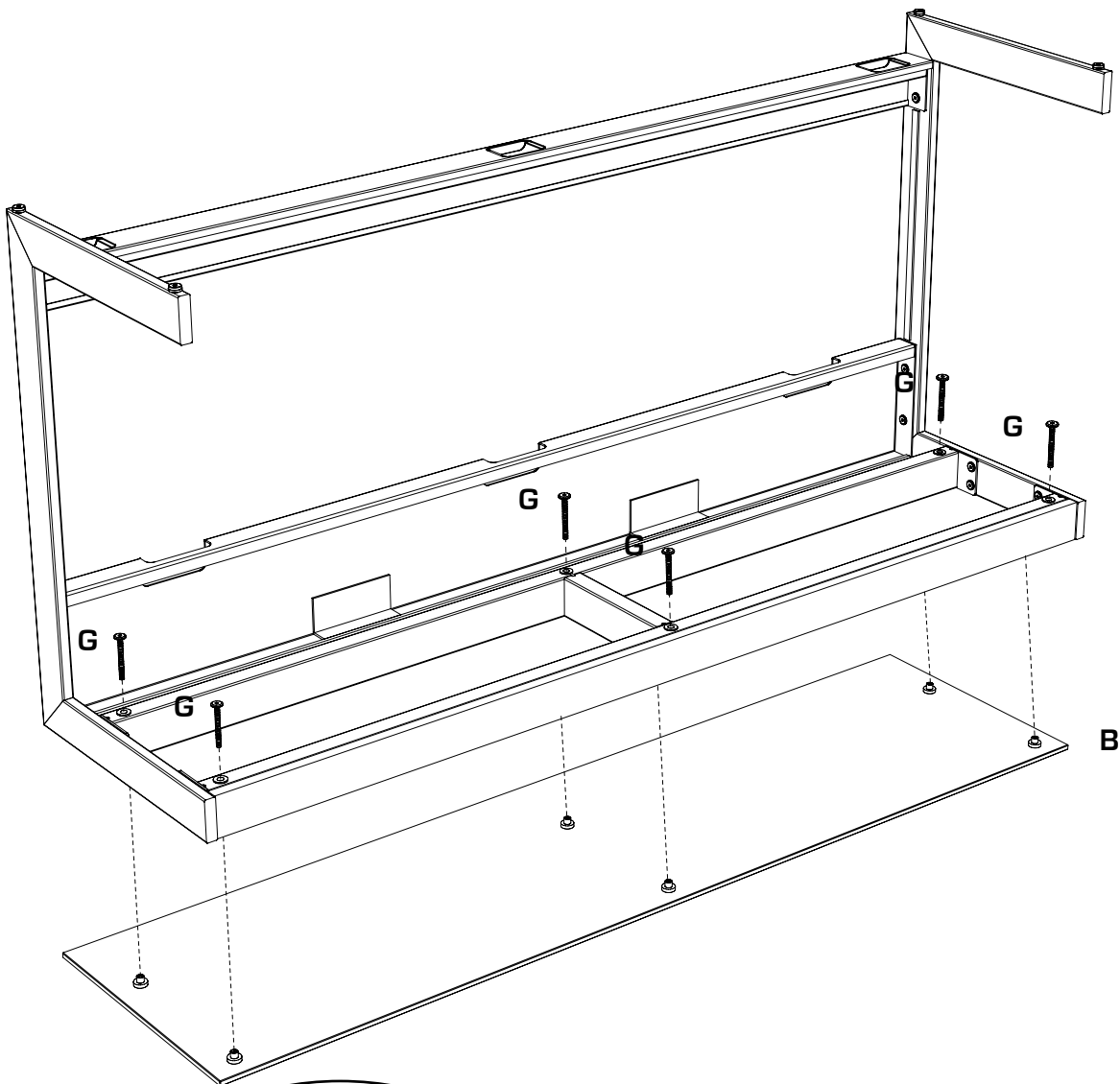
**Step 5**

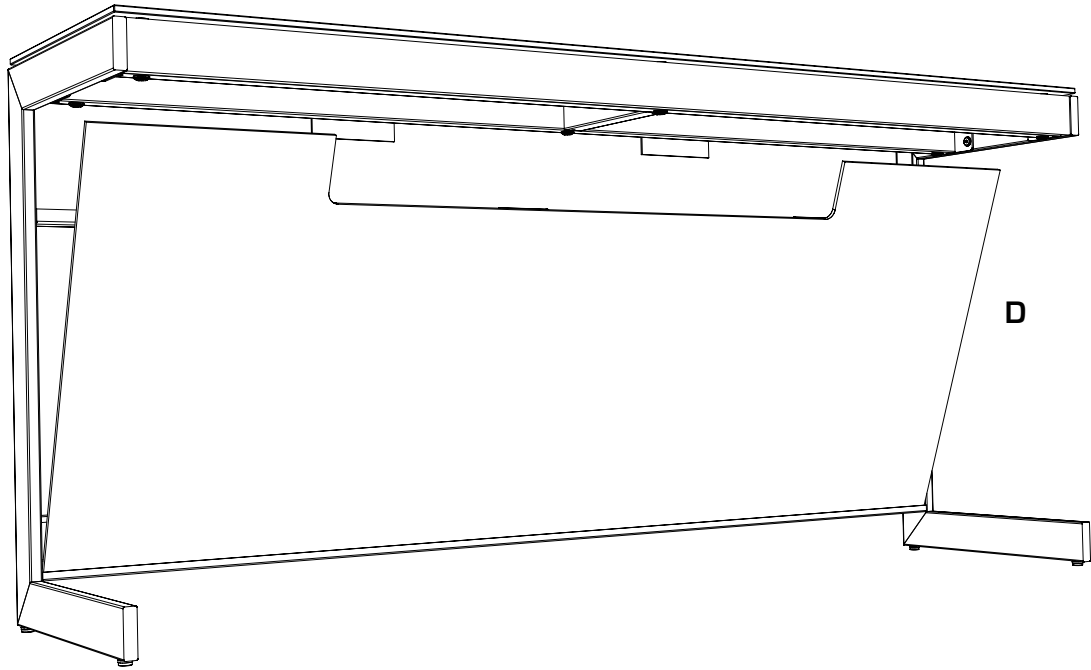
Attach **Lower Horizontal Beam (E)** to inside of Left and Right Leg using **Screw (H)** and **Hex Wrench (F)**.



### Step 6

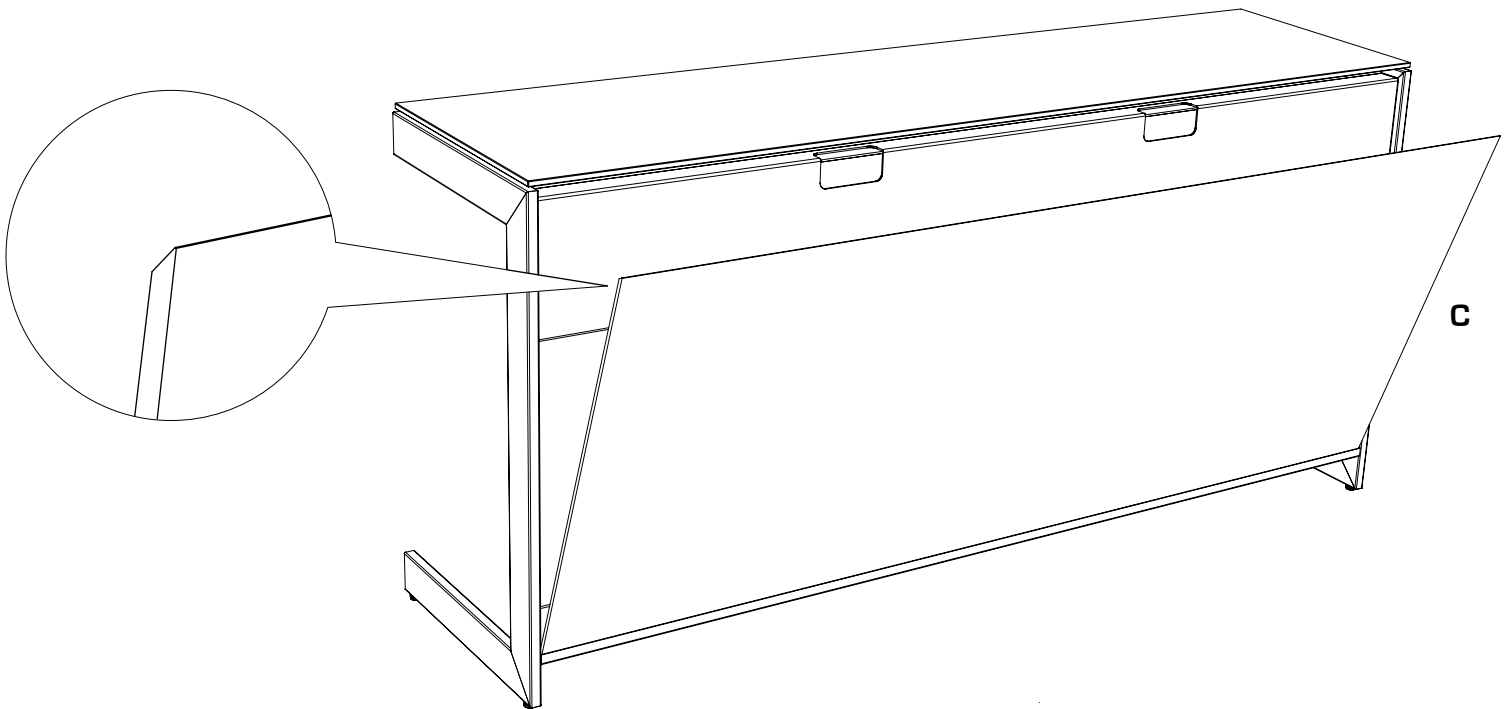
With the help of another person, gently lower Assembly onto **Top Glass (B)**. Both parts will be placed upside down for the assembly process and fasten into place using **Screw (G)** and **Hex Wrench (F)** at all **(7)** fastener locations. **DO NOT OVERTIGHTEN!** With the help of another person, turn return upright onto its base.





### Step 7

Place Sequel Return in desired location. Once all of the electrical wires are routed, install **Kick Panel (D)** as shown above. The rear side of panel has magnets that will hold the panel in place. **Note:** The Sequel Return is designed to permit placement in front of an electrical outlet for easier wiring access.



### Optional Step

If return is located in the middle of a room, the optional **6009 Back Panel (C)** is available for purchase to conceal wire management. Please contact BDI Customer Service at [customerservice@bdiusa.com](mailto:customerservice@bdiusa.com) or 800-428-2881