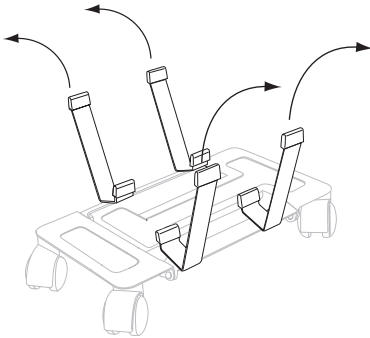
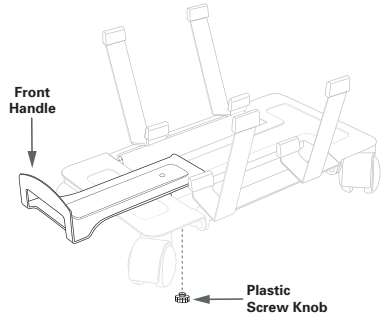


CPU Dolly with Platform Set-Up Instructions

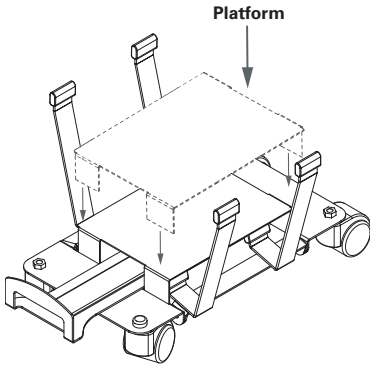
For Use with CPUs 1.5" to 9" Wide



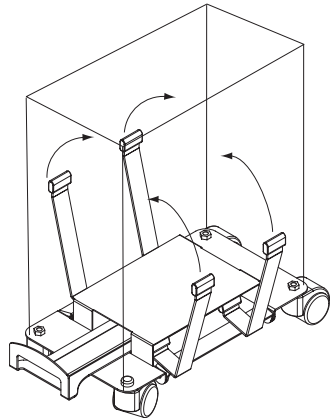
Step 1: Open arms of CPU Dolly



Step 2: Attach Front Handle by placing bolt through one of three holes on base (depending on desired handle extension) and secure with plastic screw knob.



Step 3: With Dolly arms open, place platform onto Dolly as shown



Step 4: Center CPU on platform. The arms will automatically close to secure the CPU in place.